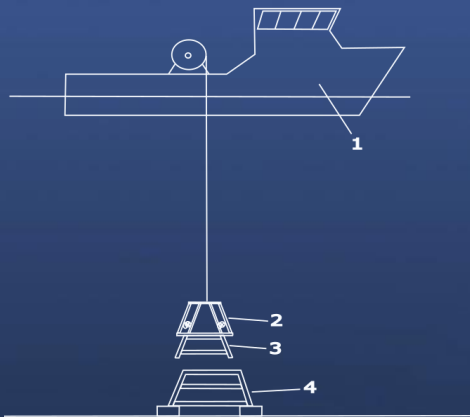
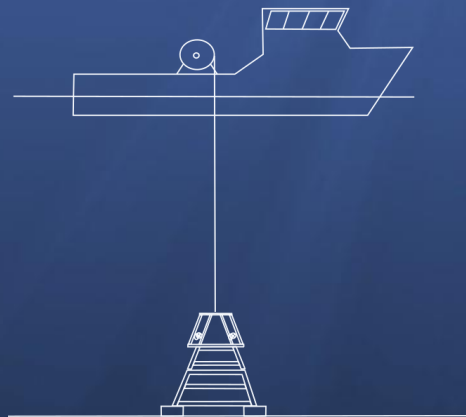


X-net[®] - Simple and ROV free installation

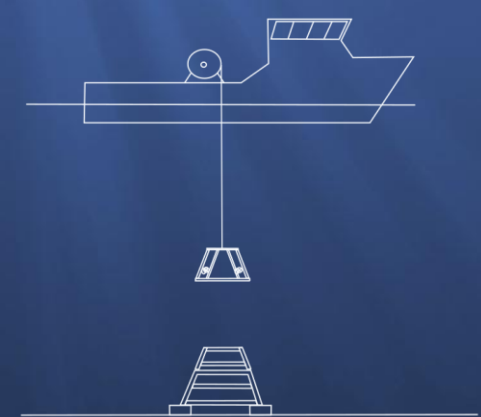
Patent pending



The X-Frame [3] is carried to the seabed by the X-LRT[2] from a vessel[1] with heave compensated winch. The X-LRT [2] use thrusters to position the X-Frame [3] above the X-Node[4]



The X-LRT lands and locks the X-Frame into the X-Node. After confirmed locking, the connection tool on the X-LRT connects the X-Frame to the cable infrastructure provided by the X-Node.



The X-LRT is retrieved to surface.